

VLAZE

VITREOUS ENAMEL WALL MOUNTED HEATSHIELDS

INSTALLATION

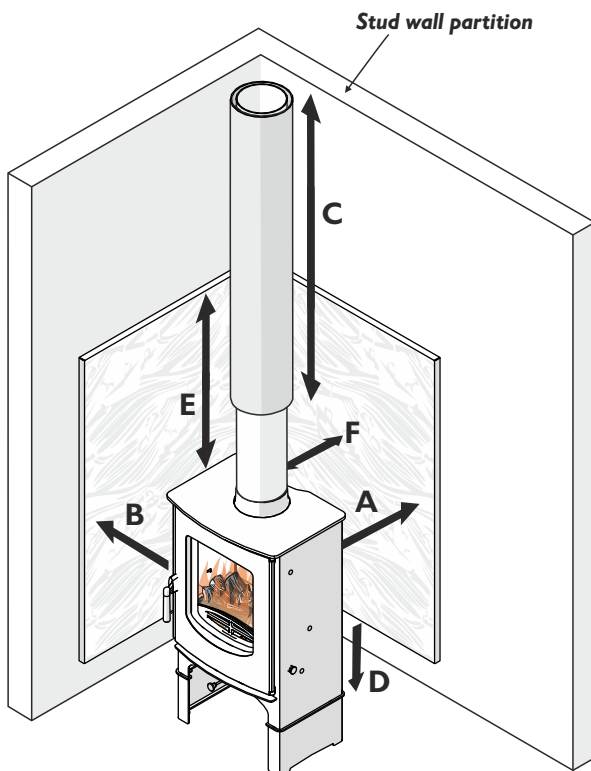
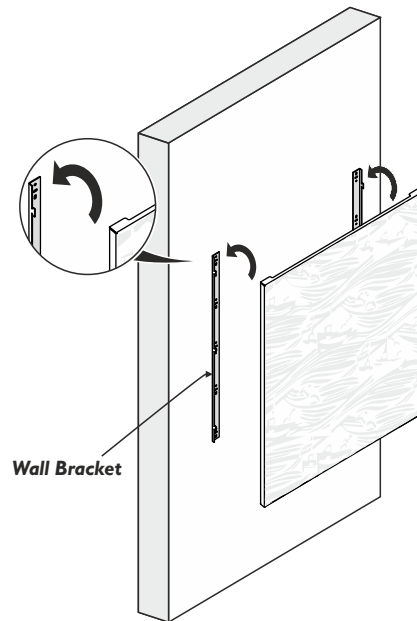
1. Screw wall brackets to the wall. See relevant drawing according to size of heat shield for setting out dimensions on the reverse page. These are given to the outside edge of the bracket.
2. Ensure the brackets are level and in line with each other, use slots for adjustment.
3. Holding the heat shield at the edges lift and drop onto the wall brackets. Ensure that the panel is the correct way up with the bottom of the panel having a greater gap.
4. Check the heat shield is seated correctly onto the wall brackets.

CLEANING AND HANDLING

Enamel surfaces must be treated as glass, with care and attention.

To clean enamel surfaces simply wipe over with a dry cloth or soft brush. Abrasive pads and scouring cleaners must not be used as these will damage the finish. Care should be taken not to knock the enamel with hard objects as it will chip.

Heat Shield Installation



SAFE DISTANCES

- A** Minimum distance of 95mm from rear of appliance to face of panel for appliances up to 7kW in accordance with HETAS guidelines.

Charnwood Stoves

*Vlaze heatshields have been fully tested with all Charnwood appliances and can be placed safely at a minimum distance of **75mm** from rear of appliance to face of panel. This includes Charnwood appliances above 7kW.*

- B** Heat shield must extend a minimum of 150mm each side of the appliance.
- C** Minimum of 425mm distance from start of chimney to ceiling.
- D** Minimum air gap of 25mm from bottom of hearth.
- E** Minimum of 300mm from top of the appliance to the top of the heatshield.
- F** Distance from uninsulated flue pipe to wall: 1.5 X diameter of the flue pipe.

VLAZE

VITREOUS ENAMEL WALL MOUNTED HEATSHIELDS

HEAT SHIELD DIMENSIONS

<i>Recommended Charnwood Appliances</i>	
Model	Minimum Panel Size
Arc 5	A & B
C- Four, Five, Six & Eight, Bembridge	A & B
Country 4	A & B
Cove 1	A & B
Tor Pico	A & B
Tor	C
Island I, II & III	C
Cove 2 & 3	C
Country 6, 8, 12, 16B	C
Arc 7	C
Skye 5 & 7	C

