

VLAZE

WALL MOUNTED HEAT SHIELDS

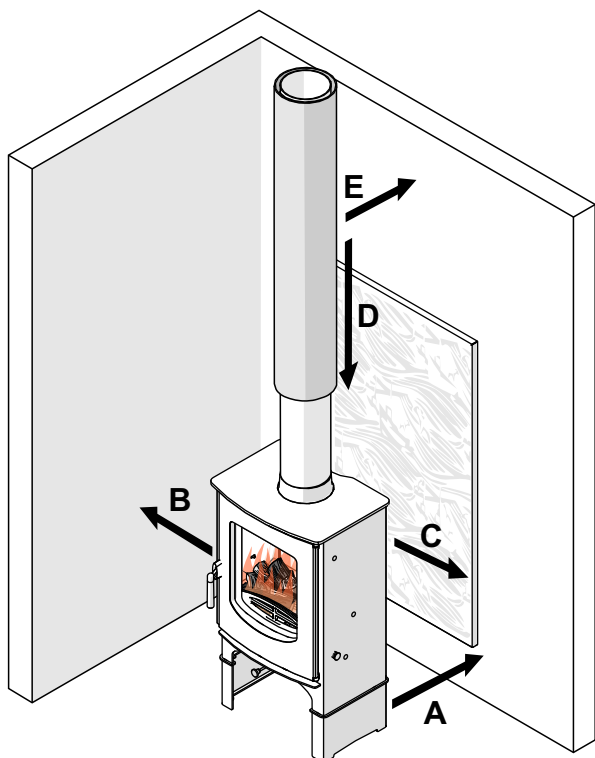
INSTALLATION

1. Screw wall brackets to the wall. See relevant drawing according to size of heat shield for setting out dimensions on the reverse page. These are given to the centre of the slots in the bracket.
2. Ensure the brackets are level and in line with each other, use slots for adjustment.
3. Holding the heat shield at the edges lift and drop onto the wall brackets. Ensure that the panel is the correct way up with the notches at the top.
4. Check that the brackets fixed to the heat shield are seated correctly onto the wall brackets.

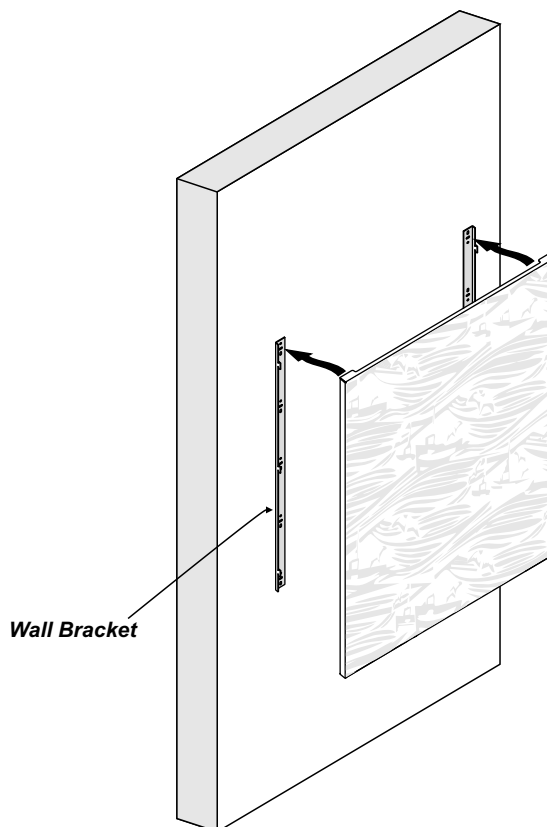
CLEANING AND MAINTENANCE

To clean enamel surfaces simply wipe over with a dry cloth or soft brush. Abrasive pads and scouring cleaners must not be used as these will damage the finish. Care should be taken not to knock the enamel with hard objects as it will chip.

Safe distances



Heat Shield Installation



SAFE DISTANCES

- A** Distance from rear of appliance to wall (minimum 100mm)
- B** Distance from side of appliance to wall (minimum distance from appliance safety test)
- C** Heat shield must extend a minimum of 150mm each side of the appliance
- D** Twin wall insulated flue to extend a minimum of 3X the appliance flue diameter over heat shield
- E** Twin wall insulated flue next to combustible wall

VLAZE

WALL MOUNTED HEAT SHEILDS

HEAT SHIELD DIMENSIONS

<i>Recommended Charnwood Appliances</i>	
Model	Minimum Panel Size
C- Four, Five, Six & Eight	A & B
Country 4	A & B
Cove 1	A & B
Tor Pico	A & B
Tor	C
Island I, II & III	C
Cove 2 & 3	C
Country 6, 8, 12, 16B	C

