

VLAZE

LUXURIOUS ENAMEL WALL MOUNTED HEATSHIELDS

INSTALLATION

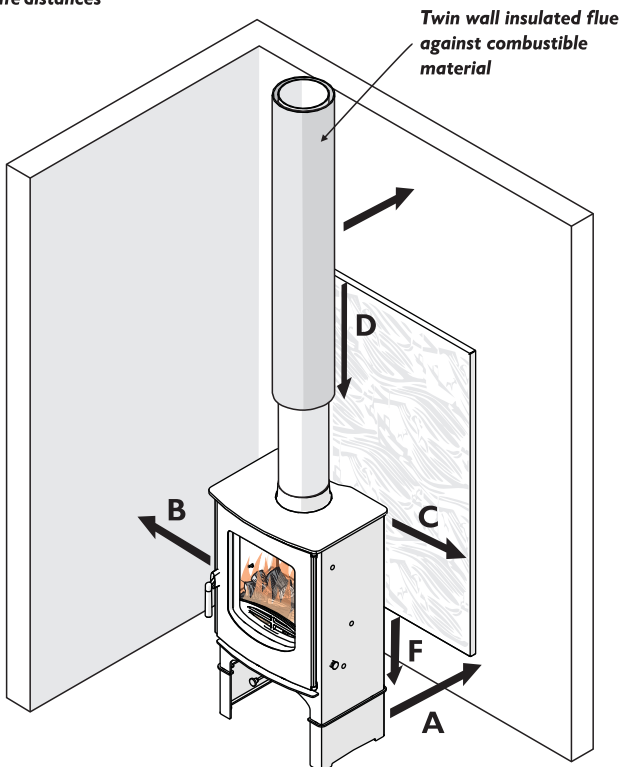
1. Screw wall brackets to the wall. See relevant drawing according to size of heat shield for setting out dimensions on the reverse page. These are given to the outside edge of the bracket.
2. Ensure the brackets are level and in line with each other, use slots for adjustment.
3. Holding the heat shield at the edges lift and drop onto the wall brackets. Ensure that the panel is the correct way up with the bottom of the panel having a greater gap.
4. Check the heat shield is seated correctly onto the wall brackets.

CLEANING AND HANDLING

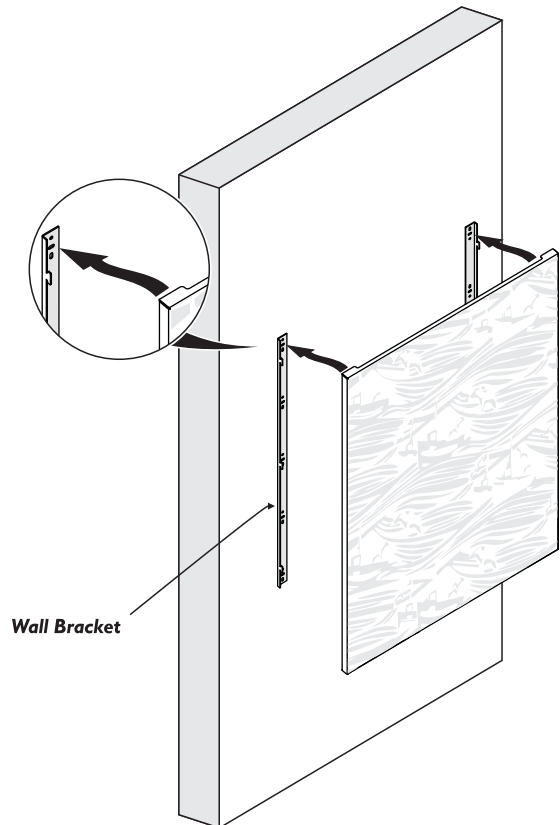
Enamel surfaces must be treated as glass, with care and attention.

To clean enamel surfaces simply wipe over with a dry cloth or soft brush. Abrasive pads and scouring cleaners must not be used as these will damage the finish. Care should be taken not to knock the enamel with hard objects as it will chip.

Safe distances



Heat Shield Installation



SAFE DISTANCES

- A** Distance from rear of appliance to wall (minimum 100mm)
**Vlaze heatshields have been tested with Charnwood appliances for other appliances check with manufacture's guidelines*
- B** Distance from side of appliance to wall (minimum distance from appliance safety test, instructions or serial label)
- C** Heat shield must extend a minimum of 150mm each side of the appliance
- D** Twin wall insulated flue to extend below the top level of the heat shield
- E** Twin wall insulated flue next to combustible wall
- F** Minimum of 50mm from hearth. The bottom of the heat shield must be below the firebox.

VLAZE

LUXURIOUS ENAMEL WALL MOUNTED HEATSHIELDS

HEAT SHIELD DIMENSIONS

| <i>Recommended Charnwood Appliances</i> | |
|---|--------------------|
| Model | Minimum Panel Size |
| C- Four, Five, Six & Eight, Bembridge | A & B |
| Country 4 | A & B |
| Cove 1 | A & B |
| Tor Pico | A & B |
| Tor | C |
| Island I, II & III | C |
| Cove 2 & 3 | C |
| C Seven | C |
| Country 6, 8, 12, 16B | C |

